

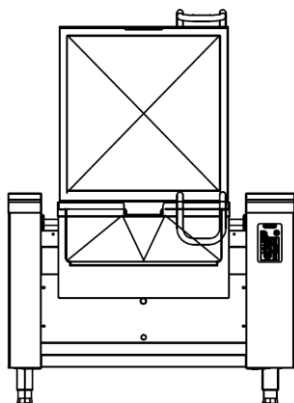


Total Food-Service Solutions

## Modular Cooking – Grandis 900

### Electric Tilting Pan

#### NETP 2GN GR



\*Due to routine technical improvement, the photograph shown may not represent the latest design of the products.

#### AVAILABLE MODEL

1. NETP 2GN GR

#### DESCRIPTION

Electric Tilting Pan with 11.9 kW power rate. Operation temperature maintained by thermostat with maximum working temperature of 300°C, Featuring removable clip joint to connect Grandis family product.

ITEM# : \_\_\_\_\_

MODEL# : \_\_\_\_\_

NAME : \_\_\_\_\_

SN : \_\_\_\_\_

#### MAIN FEATURE

- Maximum working temperature of 300°C
- Capacity of 65 Liters.
- Manual Tilting Operation.
- 20 mm Thick Braising Pan SS420.
- Service maintenance can be done from the front.
- Touch screen control panel

#### CONSTRUCTION

- All exterior panels in 304 type of Stainless Steel
- Orbital top panel anti-scratch finishing.
- Top and side are mounted by 2.0 mm of Stainless Steel.
- Adjustable  $\pm 25$  mm Stainless Steel leg.
- Certified IPX4 protection.

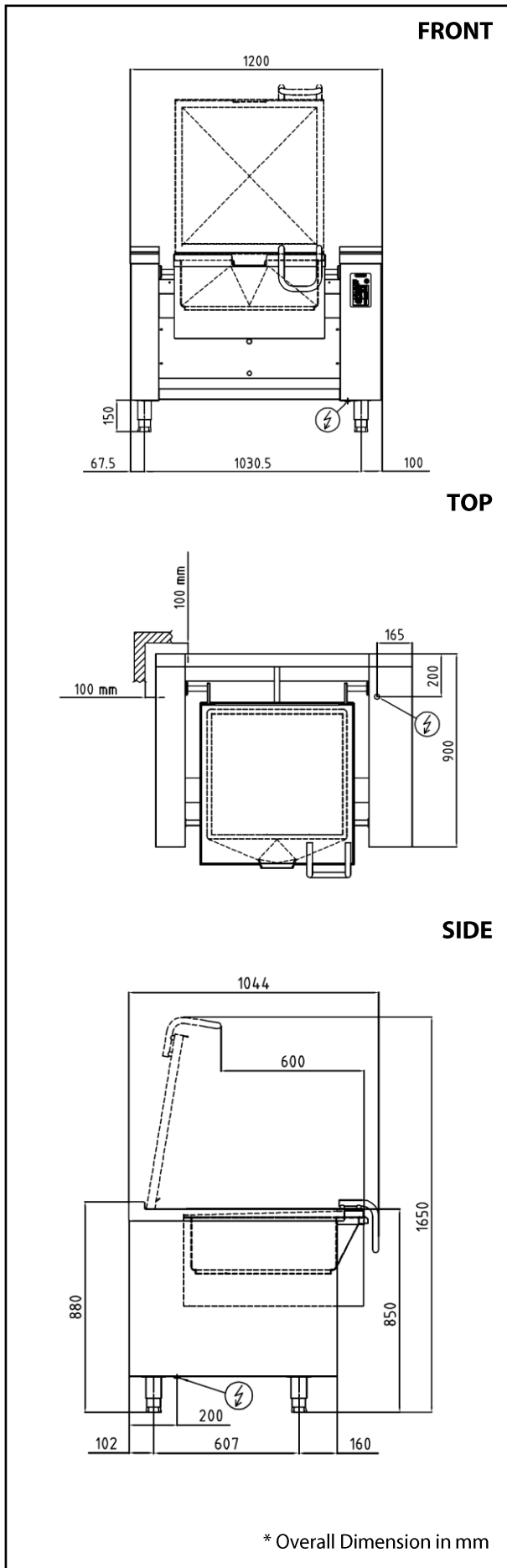
#### INCLUDED ACCESSORIES

- N/A

#### OPTIONAL ACCESSORIES

- Clip plate for joining





**ELECTRIC**

Electrical rating (kW)	:	11.9
Element rating (kW)	:	11.9
Electrical supply voltage	:	400V 3N
Required electrical supply (amps):		23
Electrical current split (amps) :		L1 : 16
		L2 : 16
		L3 : 23

**KEY INFORMATION**

Cooking surface width	:	650 mm
Cooking surface depth	:	600 mm
Direct heat emission	:	5.35 kW
Latent heat emission	:	4.76 kW
Steam emission	:	6.99 kg / h
Min. working temperature	:	50°C
Max. working temperature	:	300°C
Capacity of Tilting Pan	:	65 Liters
Water capacity	:	2-4 bar (optional)
Net weight	:	259 Kg
Shipping height	:	1260 mm
Shipping width	:	1250 mm
Shipping depth	:	1080 mm
Shipping volume	:	1.701 m <sup>3</sup>